

## Energy Ratings Request Form - Window

Email completed forms to:  
**energy.ratings@aperture-trading.com**

Tel: 01623 443200  
**www.aperture-trading.com**



Company: .....

Account No. ....

Contact Name: .....

Tel: .....

Your Reference: .....

Requested date: ..... / ..... / .....

Required date: ..... / ..... / .....

### METHOD OF COMPLIANCE

- BFRC WER Rating  
 EN 10077 U-Value Compliance

Please tick all of the appropriate following options:

**Your reinforcement selection must comply with Aperture Fabrication Guidelines**

<b>OUTER FRAME</b>	9F7	9F2	9F5	9F6
	<input type="checkbox"/>	<input type="checkbox"/>	<input type="checkbox"/>	<input type="checkbox"/>
Reinforcement	NONE	PTI	STEEL	
	<input type="checkbox"/>	<input type="checkbox"/>	<input type="checkbox"/>	

<b>VENT</b>	9V8	9TT1
	<input type="checkbox"/>	<input type="checkbox"/>
Reinforcement	NONE	STEEL
	<input type="checkbox"/>	<input type="checkbox"/>

<b>TRANSOM</b>	9OL1	9OL2	
	<input type="checkbox"/>	<input type="checkbox"/>	
Reinforcement	NONE	PTI	STEEL
	<input type="checkbox"/>	<input type="checkbox"/>	<input type="checkbox"/>

<b>BEAD</b>	5OJB28	5CJB28		Triple	TCJB
	Double <input type="checkbox"/>	<input type="checkbox"/>		<input type="checkbox"/>	<input type="checkbox"/>

Please refer to overleaf for product cross-sections

**GLASS**

Inner .....

Outer .....

Centre *(Use for triple glazing only)* .....

**SPACER BAR** .....

**SECONDARY SEALANT DEPTH** ..... mm

**TARGET U-VALUE** ..... W/m<sup>2</sup>K

**TARGET WER RATING**    A+    A    B    C

*Please tick as required*

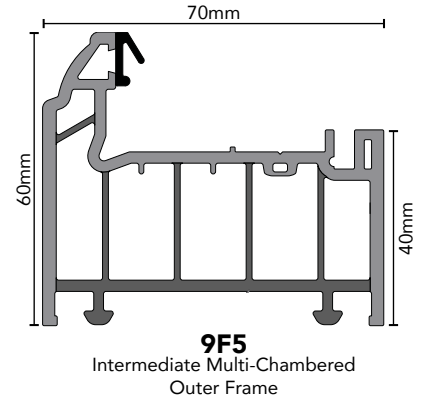
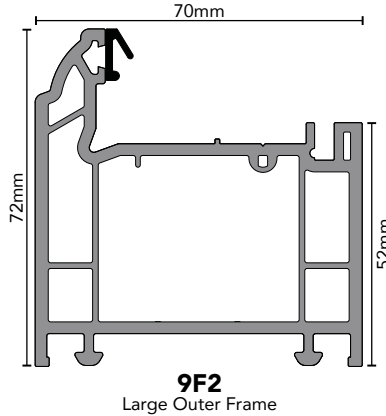
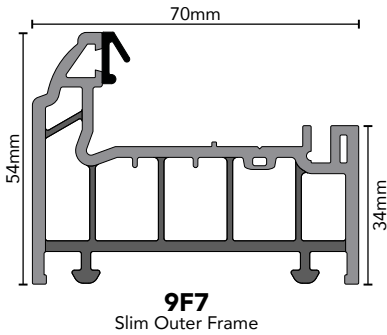
          

Please note we will endeavour to fulfil your enquiry within 5 working days.

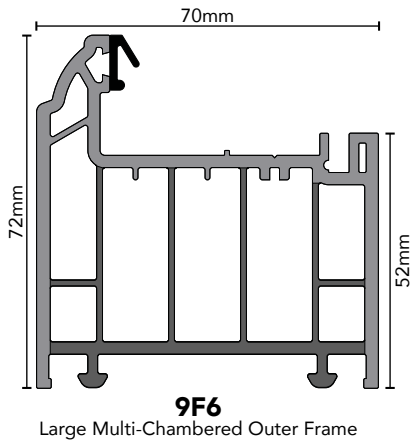


# Energy Ratings Request Form - Window

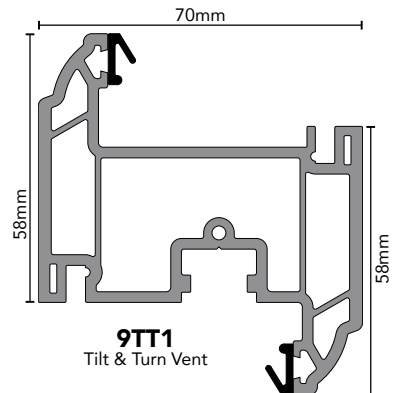
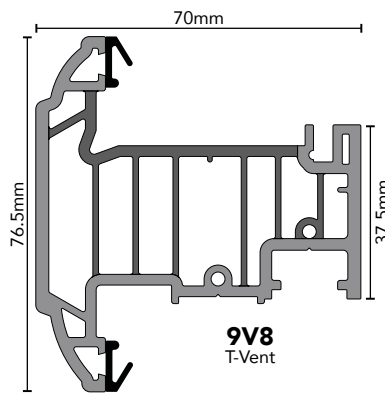
## OUTER FRAME



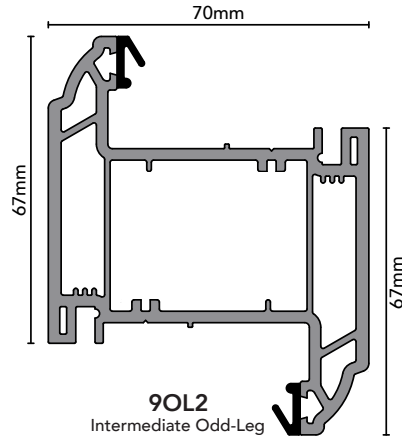
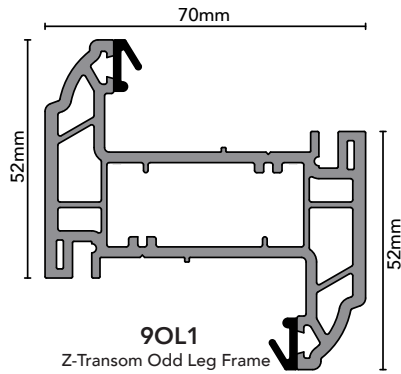
## OUTER FRAME



## VENT



## TRANSOM



## BEAD



**5OJB28**  
28mm Ogee  
(J Bead)



**5CJB28**  
28mm Chamfered  
(J Bead)



**TCJB**  
40mm Triple  
Glazing Bead