

Energy Ratings Request Form - Door

Email completed forms to:
energy.ratings@aperture-trading.com

Tel: 01623 443200
www.aperture-trading.com



Company:

Account No.

Contact Name:

Tel:



Your Reference:

Requested date: / /

Required date: / /

METHOD OF COMPLIANCE

- BFRC WER Rating
- EN 10077 U-Value Compliance

OUTER FRAME		Round Feature	8F11 <input type="checkbox"/>	8F13 <input type="checkbox"/>	8F11E <input type="checkbox"/>	8F13E <input type="checkbox"/>
		Square Feature	8F31 <input type="checkbox"/>	8F33 <input type="checkbox"/>	8F31E <input type="checkbox"/>	8F33E <input type="checkbox"/>
			8MF1 <input type="checkbox"/>	8MF3 <input type="checkbox"/>	8MF1E <input type="checkbox"/>	8MF3E <input type="checkbox"/>

VENT	8V12 <input type="checkbox"/>	8V32 <input type="checkbox"/>	8LV32 <input type="checkbox"/>
-------------	-------------------------------	-------------------------------	--------------------------------

TRANSOM	8MT1 <input type="checkbox"/>	8MT1E <input type="checkbox"/>
----------------	-------------------------------	--------------------------------

BEAD	8SB28 <input type="checkbox"/>	8CB28 <input type="checkbox"/>	8RB28 <input type="checkbox"/>	Triple	8SB44 <input type="checkbox"/>	8CB44 <input type="checkbox"/>	8RB44 <input type="checkbox"/>
-------------	--------------------------------	--------------------------------	--------------------------------	--------	--------------------------------	--------------------------------	--------------------------------

Please refer to overleaf for product cross-sections

GLASS

Inner

Outer

Centre *(Use for triple glazing only)*

SPACER BAR

SECONDARY SEALANT DEPTH mm **TARGET U-VALUE** W/m²K

TARGET WER RATING

Please tick as required

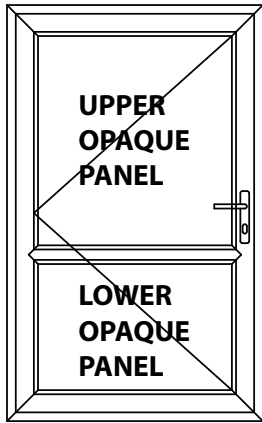
A+ A B C

Please note we will endeavour to fulfil your enquiry within 5 working days.

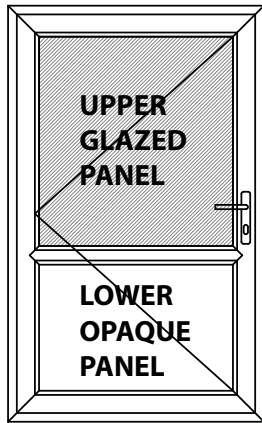


Energy Ratings Request Form - Door

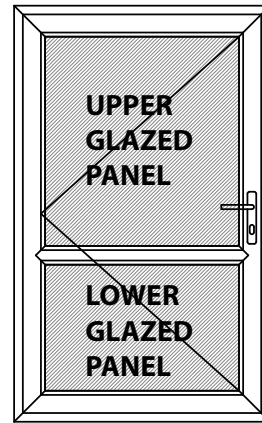
RESIDENTIAL DOOR



RESI DOOR 1

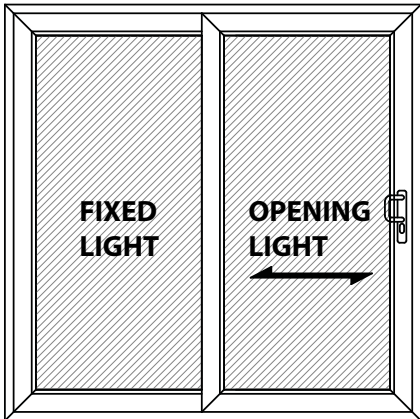


RESI DOOR 2

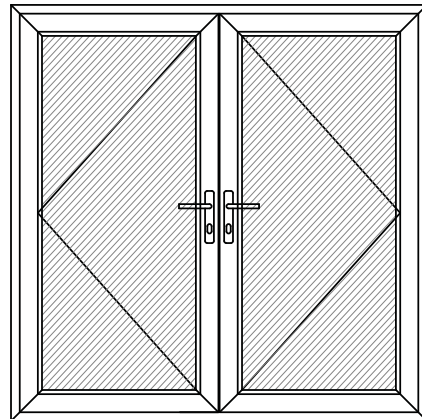


RESI DOOR 3

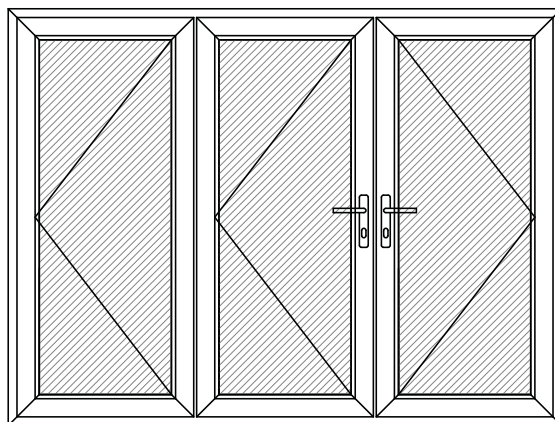
PATIO DOOR



FRENCH DOOR

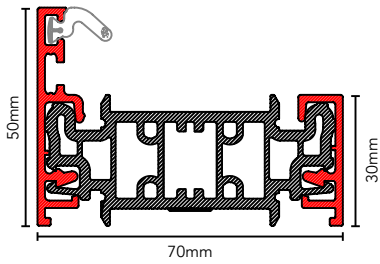


BI-FOLD DOOR

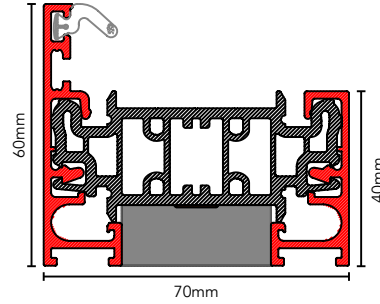


Energy Ratings Request Form - Door

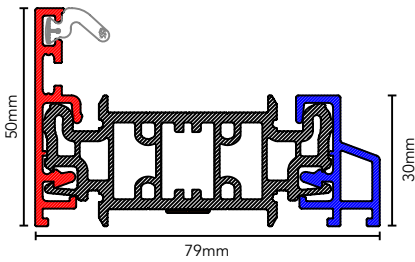
OUTER FRAME



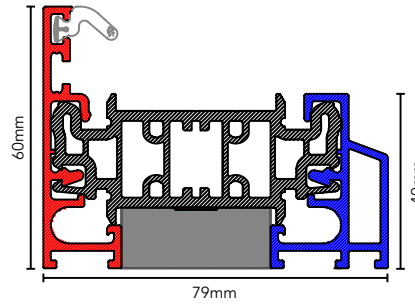
8F31
50mm Standard Outer Frame
8F11 (Round Feature)



8F33
60mm Standard Outer Frame
8F13 (Round Feature)

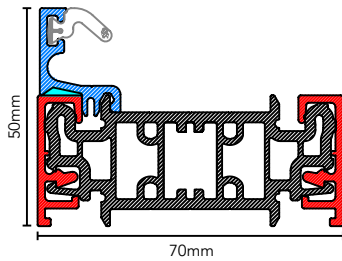


8F31E
50mm Extended Outer Frame
8F11E (Round Feature)

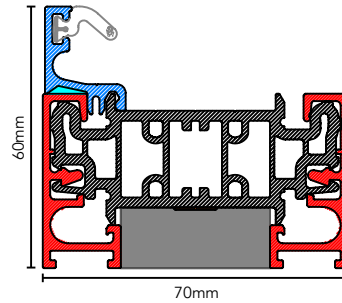


8F33E
60mm Extended Outer Frame
8F13E (Round Feature)

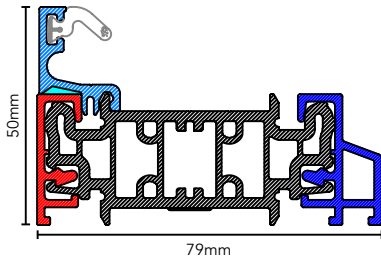
OUTER FRAME



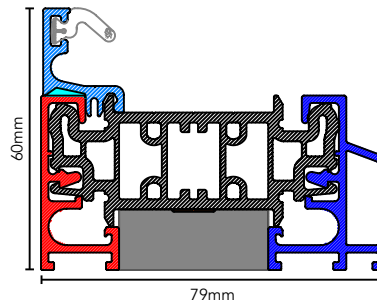
8MF1
50mm Multi-Frame



8MF3
60mm Multi-Frame



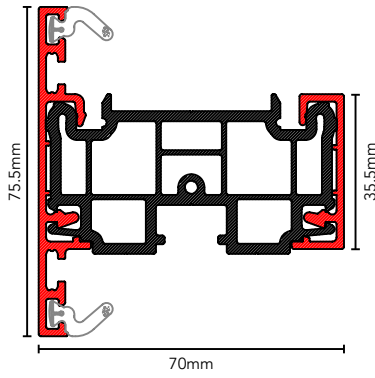
8MF1E
50mm Extended Multi-Frame



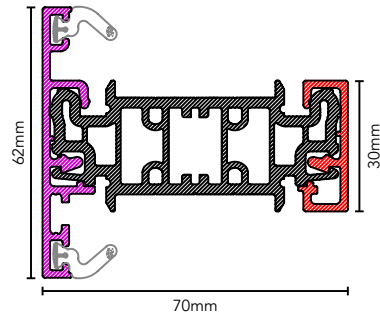
8MF3E
60mm Extended Multi-Frame

Energy Ratings Request Form - Door

VENT

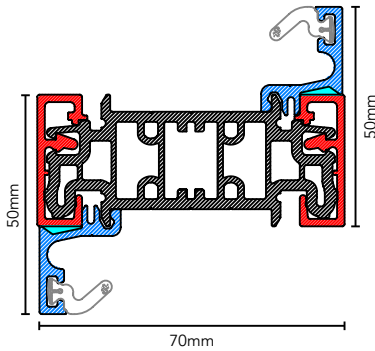


8V32
Casement Vent
8V12 (Round Feature)

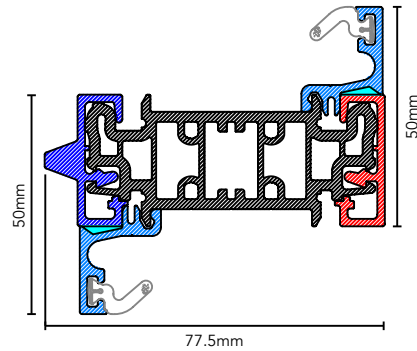


8LV32
Slim Casement Vent

TRANSOM



8MT1
70mm Multi-Transom

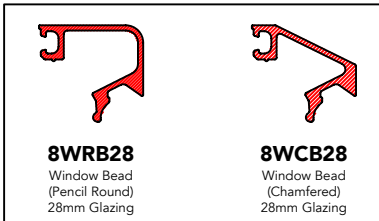


8MT1E
70mm Multi-Transom (Extended)

BEAD



8WSB28
Window Bead
(Square)
28mm Glazing



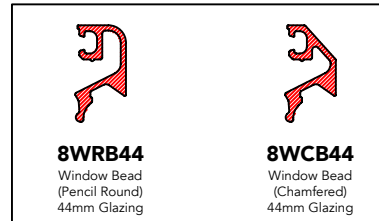
8WRB28
Window Bead
(Pencil Round)
28mm Glazing

8WCB28
Window Bead
(Chamfered)
28mm Glazing

Used On Vertical Sections Only



8WSB44
Window Bead
(Square)
44mm Glazing



8WRB44
Window Bead
(Pencil Round)
44mm Glazing

8WCB44
Window Bead
(Chamfered)
44mm Glazing

Used On Vertical Sections Only