

Company:

Account No.

Address:

..... Postcode:

Tel:

Fax:

Contact Name:

Email:

Requested Delivery Date:
(Lead time of 10 working days)

Order Reference:

Signature:

Page of

Quote

Order

FOLDING OPTIONS *(When viewed from outside)*

NB. Minimum sash width 550mm per pane, maximum sash width 1000mm per pane.

Total number of leaves For Example: 3 Total number of door leaves	Number of leaves folding left 1 Number of door leaves opening left	Number of leaves folding right 2 Number of door leaves opening right	Opening: <input type="checkbox"/> In <input type="checkbox"/> Out
--	---	---	--

DIMENSIONS

Overall width:

.....
Maximum width: 6000mm

Overall height:

.....
Maximum height: 2400mm

EXTERNAL STYLING

Pencil Round

Chamfered

Squared

Decorative

**44mm Triple Glazed - Pencil Round only*

FRAME COLOUR

External:	Internal:
<input type="checkbox"/> White	<input type="checkbox"/> White
<input type="checkbox"/> Cream	<input type="checkbox"/> Cream
<input type="checkbox"/> Grey	<input type="checkbox"/> Grey
<input type="checkbox"/> Black	<input type="checkbox"/> Black

TRICKLE VENTS

Required Not required

HARDWARE

WarmCore

Silver

Black

Brushed Graphite

*Magnets are colour matched.
Locks/keeps are Anodised Silver.
Roller units are Black Anodised powder finish.
Brushed Graphite uses Anodised Black hinges.*

OPTIONAL LEVER/LEVER

Lever/Lever Handles	Magnets
<input type="checkbox"/> Silver	<input type="checkbox"/> Silver
<input type="checkbox"/> Black	<input type="checkbox"/> Black
<input type="checkbox"/> Brushed Graphite	<input type="checkbox"/> RAL 7016
	<input type="checkbox"/> White

Only fill in this section if Lever/Lever style handles are required on traffic doors.

SILL TYPE

Part M low threshold*

Part M low threshold ramp/cover*

Part M low threshold ramp/ramp*

Standard integrated 120mm sill *(Outward opening only)*


Frame + 150mm sill**

Frame only

**All Silver Anodised Aluminium.
**Part M low threshold is not compatible with 150mm sill.*

GLAZING OPTIONS

(All Toughened)

<input type="checkbox"/> Standard double glazed - 28mm (1.5 W/m ² K U-value*)	<input type="checkbox"/> Triple glazed - 44mm (1.0 W/m ² K U-value*)
<input type="checkbox"/> Celsius double glazed - 28mm (1.4 W/m ² K U-value*)	<input type="checkbox"/>  Standard double glazed (Laminated) - 28mm (1.5 W/m ² K U-value*)
<input type="checkbox"/> Unglazed	<input type="checkbox"/> Laminated Unglazed

**Figures quoted are whole door U-values based on BFRC standard bi-fold door*

GLAZING BEAD

Squared/Squared - 28mm - 4 Sides

Squared/Chamfered - 28mm - Chamfered Verticals

Squared/Squared - 44mm - 4 Sides

Squared/Round - 28mm - Chamfered Verticals

Squared/Round - 44mm - 4 Sides

SKETCH YOUR DESIGN HERE: *(When viewed from outside)*

Additional notes:

ORDER GUIDELINES

MAXIMUM AND MINIMUM DOOR SIZES

STYLE	DOOR WIDTHS		DOOR HEIGHTS			
	MINIMUM	MAXIMUM	MINIMUM		MAXIMUM	
			FRAME / INTEG	PART M LT	FRAME / INTEG	PART M LT
220	1500	2126	2020	2000	2400	2400
330	1800	3138	2020	2000	2400	2400
321	1800	3138	2020	2000	2400	2400
440	3000	4150	2020	2000	2400	2400
431	2350	4150	2020	2000	2400	2400
422	3000	4150	2020	2000	2400	2400
550	2925	5162	2020	2000	2400	2400
541	2925	5162	2020	2000	2400	2400
532	2925	5162	2020	2000	2400	2400
660	4500	6000	2020	2000	2400	2400
651	3475	6000	2020	2000	2400	2400
642	4500	6000	2020	2000	2400	2400
633	3475	6000	2020	2000	2400	2400
770	4050	6000	2020	2000	2400	2400
761	4050	6000	2020	2000	2400	2400
752	4050	6000	2020	2000	2400	2400
743	4050	6000	2020	2000	2400	2400

*NB: Heights noted do not include additional thermally broken sill.
Allow 26.5mm for this if it is required.*

Company:
Account No.
Address:
.....
..... Postcode:
Tel:
Fax:
Contact Name:
Email:

Page of

Quote	<input type="text"/>
Order	<input type="text"/>

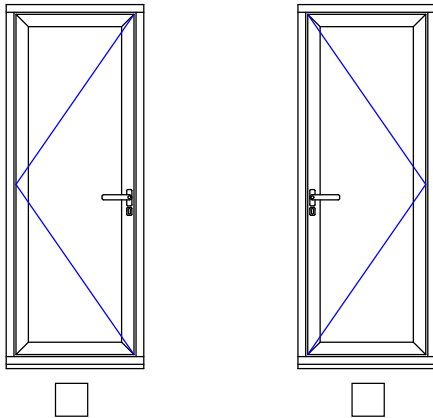
Requested Delivery Date:
(Lead time of 10 working days)

Order Reference:

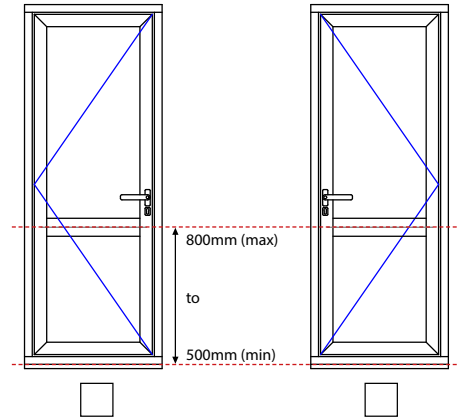
Signature:

AVAILABLE DOOR STYLES *(Viewed from outside. Please tick your choice.)*

RESIDENTIAL DOOR *(Viewed from outside)*

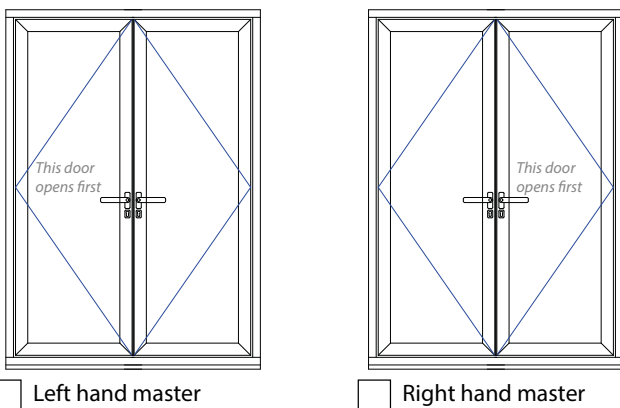


RESIDENTIAL DOOR with MIDRAIL *(Viewed from outside)*



Please note:
Triple glazing is not available with midrail options on either residential or French doors

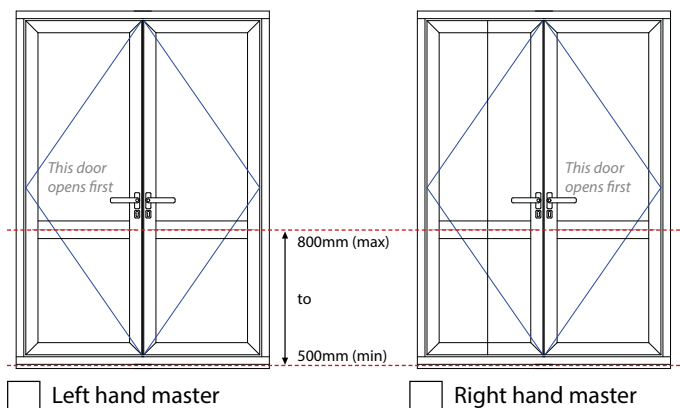
FRENCH DOOR *(Viewed from outside)*



Left hand master

Right hand master

FRENCH DOOR with MIDRAIL *(Viewed from outside)*



Left hand master

Right hand master

DOOR DIMENSIONS

Width: mm

Height inc. Sill: mm

Midrail Height: mm
(from underside of frame ignoring Sill option)

MIN/MAX FRAME SIZES

Single		French	
min width	700mm	min width	1200mm
max width	1100mm	max width	2200mm
min height	2020mm*	min height	2020mm*
max height	2400mm	max height	2400mm

*2000mm with a low threshold

OPENING IN/OUT

Open in Open out

SILL TYPE

Part M low threshold*

Part M low threshold ramp/cover*

Part M low threshold ramp/ramp*

Standard integrated 120mm sill (Outward opening only)

Frame + 150mm sill**

Frame only

*All Silver Anodised Aluminium.
**Part M low threshold is not compatible with 150mm sill.

EXTERNAL STYLING

Pencil Round

Chamfered

Squared

Decorative

*44mm Triple Glazed - Pencil Round only

FRAME COLOUR

External:	Internal:
<input type="checkbox"/> White	<input type="checkbox"/> White
<input type="checkbox"/> Cream	<input type="checkbox"/> Cream
<input type="checkbox"/> Grey	<input type="checkbox"/> Grey
<input type="checkbox"/> Black	<input type="checkbox"/> Black

HARDWARE

WarmCore

Silver

Black

Brushed Graphite

Magnets are colour matched.
Locks/keeps are Anodised Silver.
Roller units are Black Anodised powder finish.
Brushed Graphite uses Anodised Black hinges.

OPTIONAL LEVER/LEVER

Lever/Lever Handles

Silver

Black

Brushed Graphite

Only fill in this section if Lever/Lever style handles are required on traffic doors.

GLAZING BEAD

Squared/Squared - 28mm - 4 Sides

Squared/Chamfered - 28mm - Chamfered Verticals

Squared/Squared - 44mm - 4 Sides

LETTERPLATE

Black

Silver Letterplate in midrail only.

Chrome

GLAZING OPTIONS

(All Toughened)

Standard double glazed - 28mm (1.5 W/m²K U-value*)


Celsius double glazed - 28mm (1.4 W/m²K U-value*)

Triple glazed - Not available with midrail options - 44mm (1.0 W/m²K U-value*)

Unglazed

Laminated Unglazed

Add Secured by Design upgrade

 Standard double glazed (Laminated) - 28mm (1.5 W/m²K U-value*)

*Figures quoted are whole door U-values based on BFRC standard door



**AVAILABLE
LEVER/LEVER HANDLES
NOW**

Page of Quote Order

WINDOW DESIGN (VIEWED EXTERNALLY)	
Width:	Height:
Transom position:	Mullion position:
Fire Escape: <input type="checkbox"/>	T/Vents: <input type="checkbox"/> Obscure: <input type="checkbox"/>
Frame Size: 50mm <input type="checkbox"/> 60mm <input type="checkbox"/>	Add Ons: <input type="checkbox"/> 20mm Coupler: <input type="checkbox"/>
Please denote if toughened glass is required by placing "T" in the appropriate location	
Sill: None <input type="checkbox"/> 85mm <input type="checkbox"/> 150mm <input type="checkbox"/> 180mm <input type="checkbox"/> 225mm <input type="checkbox"/>	
Additional Information:	

WINDOW DESIGN (VIEWED EXTERNALLY)	
Width:	Height:
Transom position:	Mullion position:
Fire Escape: <input type="checkbox"/>	T/Vents: <input type="checkbox"/> Obscure: <input type="checkbox"/>
Frame Size: 50mm <input type="checkbox"/> 60mm <input type="checkbox"/>	Add Ons: <input type="checkbox"/> 20mm Coupler: <input type="checkbox"/>
Please denote if toughened glass is required by placing "T" in the appropriate location	
Sill: None <input type="checkbox"/> 85mm <input type="checkbox"/> 150mm <input type="checkbox"/> 180mm <input type="checkbox"/> 225mm <input type="checkbox"/>	
Additional Information:	

WINDOW DESIGN (VIEWED EXTERNALLY)	
Width:	Height:
Transom position:	Mullion position:
Fire Escape: <input type="checkbox"/>	T/Vents: <input type="checkbox"/> Obscure: <input type="checkbox"/>
Frame Size: 50mm <input type="checkbox"/> 60mm <input type="checkbox"/>	Add Ons: <input type="checkbox"/> 20mm Coupler: <input type="checkbox"/>
Please denote if toughened glass is required by placing "T" in the appropriate location	
Sill: None <input type="checkbox"/> 85mm <input type="checkbox"/> 150mm <input type="checkbox"/> 180mm <input type="checkbox"/> 225mm <input type="checkbox"/>	
Additional Information:	

WINDOW DESIGN (VIEWED EXTERNALLY)	
Width:	Height:
Transom position:	Mullion position:
Fire Escape: <input type="checkbox"/>	T/Vents: <input type="checkbox"/> Obscure: <input type="checkbox"/>
Frame Size: 50mm <input type="checkbox"/> 60mm <input type="checkbox"/>	Add Ons: <input type="checkbox"/> 20mm Coupler: <input type="checkbox"/>
Please denote if toughened glass is required by placing "T" in the appropriate location	
Sill: None <input type="checkbox"/> 85mm <input type="checkbox"/> 150mm <input type="checkbox"/> 180mm <input type="checkbox"/> 225mm <input type="checkbox"/>	
Additional Information:	